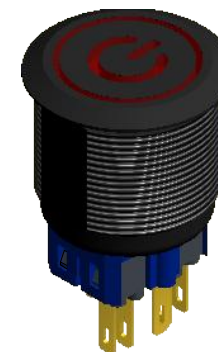
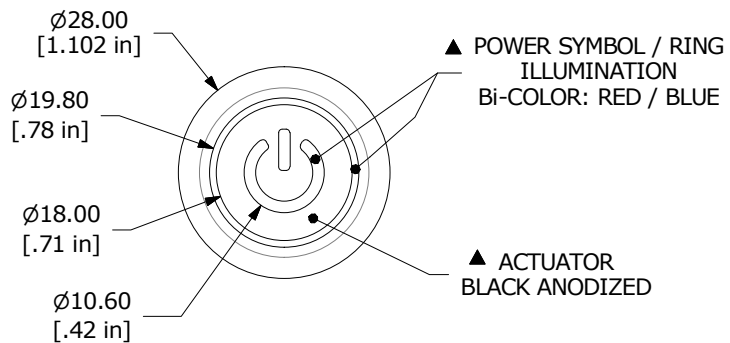
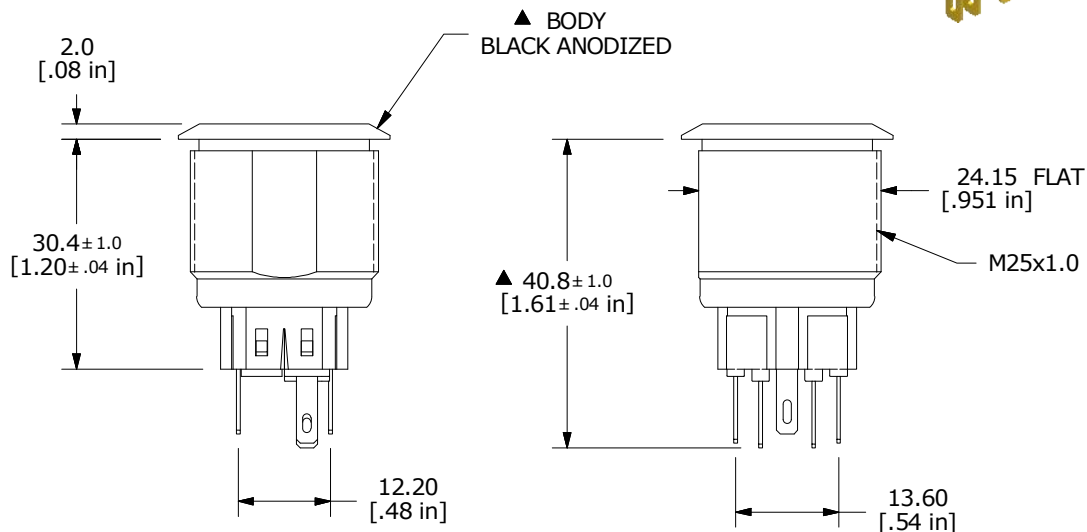
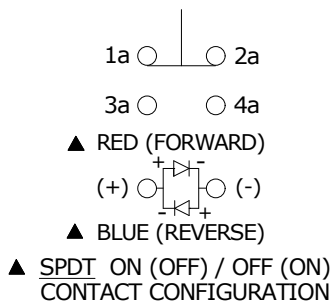


RECOMMENDED PANEL CUTOUT
MAX. PANEL THICKNESS 12mm

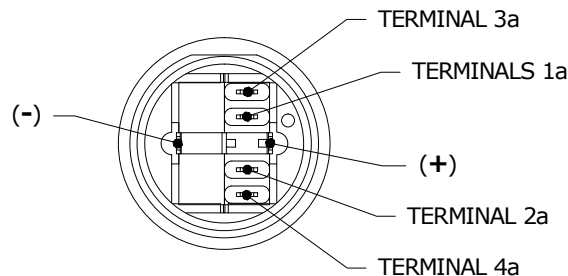


SWITCH FUNCTION	
POS. 1	POS. 2
1a-2a	(3a-4a)



NOTE:

- ALL DIMENSIONS IN MM [INCH]
- GENERAL TOLERANCE: X.X = ± 0.4
X.XX = ± 0.25
- TERMINAL NOS. FOR REF. ONLY
- RATING: 2A @ 48VDC
- ILLUMINATION VOLTAGE: 1.8V FORWARD, 2.8V REVERSE
- CONTACT RESISTANCE: 50mΩ MAX. @ 1A 12VDC
- INSULATION RESISTANCE: 1,000MΩ @ 500VDC
- DIELECTRIC STRENGTH: 2,000VAC MIN. FOR 1 MINUTE
- ELECTRICAL LIFE: 50,000 CYCLES
- OPERATING TEMPERATURE: -20°C to 55°C
- INGRESS PROTECTION: IP65
- SUPPLIED HARDWARE: O-RING AND HEXNUT
- ▲ DENOTES CRITICAL PARAMETER
- 2011/65/EU (ROHS) COMPLIANT



B	22929	update term. base orientation and Ring thk.	7/17/17	MW
A	21995	RELEASE FOR PRODUCTION	9/22/15	MW
REV	PCR NO	DESCRIPTION	DATE	BY

TITLE PV8F2Y011-3H1-M14				
SCALE 1:1	DATE 9/22/2015	DR MW	DWG 52-PV8F2Y0113H1M14	REV B

THE INFORMATION CONTAINED IN THIS DOCUMENT IS PROPRIETARY TO E-SWITCH AND IS NOT TO BE COPIED OR TRANSFERRED